



Sanitary Mini Stainless Steel Housing

The Sanitary Mini Stainless Steel housings are designed for high purity applications. All wetted surfaces are constructed of 316L stainless steel and are electropolished, providing excellent corrosion resistance. The housings are compatible with 1.5, 2.5 and 5 inch Mini Filters to meet the needs of your small scale applications.

The housing supports the 116 o-ring style cartridge. The design of the housing provides for a positive seal with the filters thereby preventing fluid bypass. The housing is sealed by the use of an easy to use tri-clamp that requires no special tools to open or close.

These Sanitary mini stainless steel housings are ideal for laboratory, small scale production or pilot scale operations. The mini filters utilized with these housings can be scaled up to as large as 40" filter.



Materials of Construction

Head: 316L Stainless Steel
 Bowl: 316L Stainless Steel
 Clamp: 304 Stainless Steel
 Center post with Seal plate: 316 Stainless Steel
 Vent/ Drain Plug: 316L Stainless Steel
 O-Rings: Silicone, EPDM, Viton

Dimensions (nominal)

Filter Lengths: 1.5", 2.5", 5"
 Width: 2.5in (64 mm)

Connections

Inlet/ Outlet : ½", 1", 1.5" Sanitary fitting
 Vent / Drain: Welded valve, 1.4" FNPT,
 or No Vent/Drain

Finish

Electropolished

Operating Conditions

Max Liquid operating pressure: 87 psi (6Bar)

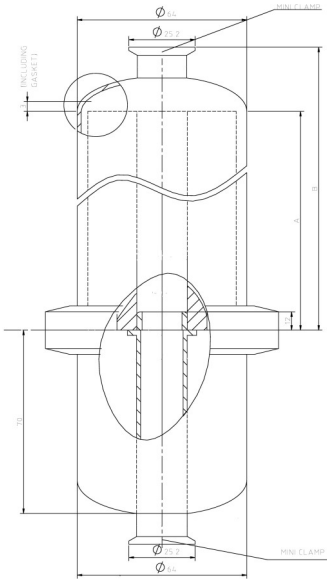
Applications	
Pharmaceuticals	Tank Vents
Biologics	Pilot lab applications
SVP	Solvents
POU Water	Beverages

Features	Benefits
<ul style="list-style-type: none"> Wide Chemical & Thermal Compatibility 	<ul style="list-style-type: none"> Provides excellent compatibility with a wide range of chemicals The Electropolished finish eliminates possible contamination that could potentially leach into the process chemicals.
<ul style="list-style-type: none"> 3 different sizes 	<ul style="list-style-type: none"> Allows you to pick the amount of filtration area to minimize filtration cost and hold up volume
<ul style="list-style-type: none"> Tri-Clamp for housing 	<ul style="list-style-type: none"> The housing allows for inspection of the filter before the housing is sealed. Ease of filter change-out

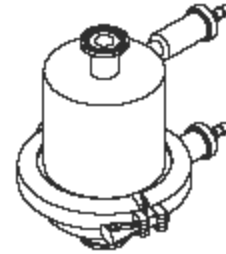
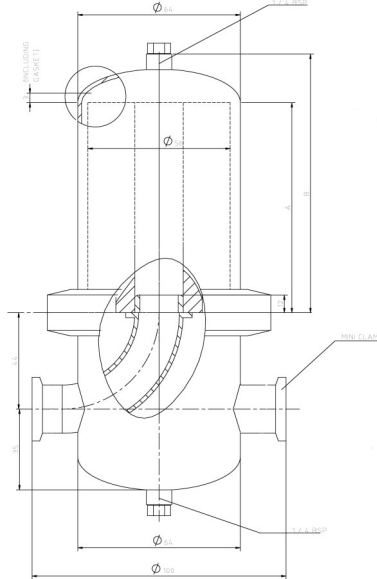
Sanitary Mini Stainless Steel Housing



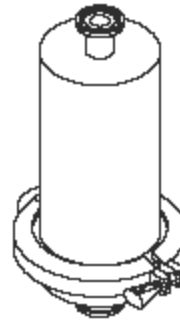
In Line- Style



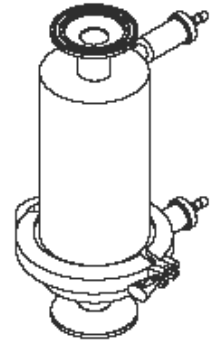
T- Style



With Vents



With out Vents



With 1" Sanitary Fittings

Dimintions	Overall Length (L) mm		
	1.5" Filter	2.5" Filter	5" Filter
In-Line	159	193	243
T-Line	159	189	241

Actual length will vary with different fittings

Your Local Distributor:

Please Visit Us At:

www.pharmbiologicsolutions.com
Email: info@pharmbiologicsolutions.com

317-415-0179 phone 317-536-3937-fax