



Universal Stainless Steel Housing

The **Universal Stainless Steel** housing is designed to meet your critical processing needs. The housing is constructed of 316L stainless steel for excellent resistance to corrosive chemicals. The housing is compatible with 5 inch to 30 inch filters lengths to meet the needs of your application.

These housings can support both **222 o-rings** and **DOE** open ended filters. The unique design of the housing allows for cost saving and ease of installation. You can engage **DOE** filter before closing the housing to insure they are properly sealed. The design of the housing provides for a positive seal with the filters thereby preventing fluid bypass. The housing is sealed by the use of an easy to use tri-clamp that requires no special tools to open or close.



Materials of Construction

Head: 316L Stainless Steel
 Bowl: 316L Stainless Steel
 Clamp: 304 Stainless Steel
 Center Post with Seal plate: 316L SS
 Vent/Drain Plug: 316L Stainless Steel
 O-Rings: Silicone or EPDM

Dimensions (nominal)

Lengths (in): 5 , 10 , 20, and 30
 Width: 5.51 in. (140mm)

Connections

Inlet/ Outlet : ¾" or 1"
 Vent / Drain : ¼" NPT

Finish

Electropolished

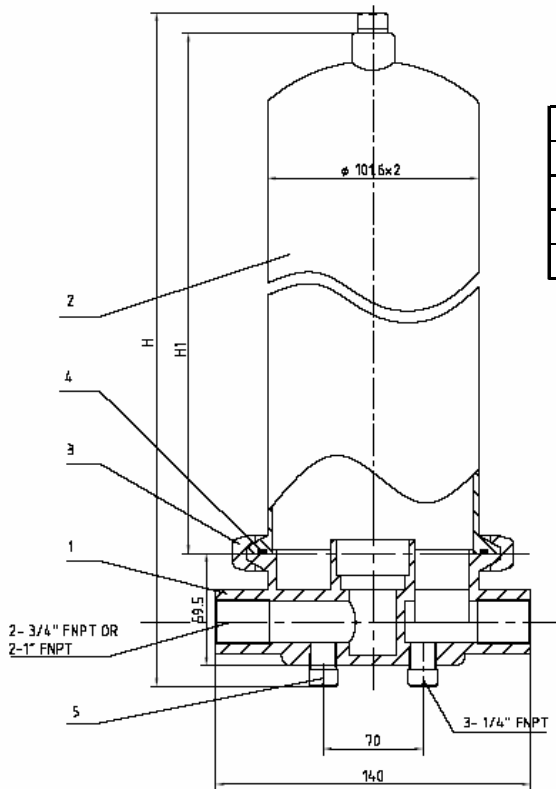
Operating Conditions

Max operating pressure: 145 psi (10Bar)

Applications	
Pharma Prefiltration	Biologics Prefiltration
FDA Grade Solvents	Process Water
Plating Solutions	Beverages
Ink Jets	Electronics
Inks	Dyes
Parts Cleaning	Lacquers

Features	Benefits
<ul style="list-style-type: none"> ■ Universal Housing 	<ul style="list-style-type: none"> ■ Allows the user to change between filters with 222 o-rings and DOE filters in the same housing.
<ul style="list-style-type: none"> ■ Wide Chemical & Thermal Compatibility 	<ul style="list-style-type: none"> ■ Provides excellent compatibility with a wide range of chemicals ■ The electropolished finish eliminates possible contamination that could potentially leach into the process chemicals.
<ul style="list-style-type: none"> ■ Tri-Clamp 	<ul style="list-style-type: none"> ■ The housing allows for inspection of the filter before the housing is sealed. ■ Ease of filter change-out

Universal Industrial Stainless Steel Housing



Nominal Length	H1 (Bowl Height)	H (over all Height)
5"	167mm (6.57")	246mm (9.69")
10"	300mm (11.81")	379mm (14.92")
20"	550mm (21.65")	629mm (24.76")
30"	800mm (31.5")	879mm (34.6")

Item	Description	Material	Size
1	Base	316L SS	3/4 or 1"
2	Bowl	316L SS	5,10,20,30"
3	Tri-Clamp	304 SS	
4	O-ring	EPDM/Silicon	110x3.1
5	Plug	316L SS	1/4" NPT

Your Local Distributor:

PharmBiologic Solutions, LLC

317-415-0179

Please Visit Us At:

www.pharmbiologicsolutions.com

Email: info@pharmbiologicsolutions.com

317-415-0179 phone 317-536-3937-fax