



Sanitary Double Swing Bolt Closure Multi-Round Series

The Sanitary High Purity Cartridge housings are designed to meet your critical processing needs. These housings are commonly used in the Pharmaceutical Industry, Food and Beverage and High Purity Chemicals. These housings are ideal using only superior grade 316L and 304L stainless steel.

The housings are available in 222, 226 o-ring style. A complete line of housings from 7 to 36 round and in sizes from 20 to 40 inches are available to meet the needs of your critical applications. The design of the housing provides a positive seal with double swing bolt closure.

Custom options are available and include: handles, lifting davit, upstream and downstream drains and choice of inlet/outlet connection sizes.

Top swing bolt closure and bottom swing bolt closure enable ease of cleanability and complete tear down of vessel.



Applications	
High Purity Water	Food & Beverage
Pharmaceutical	Biological Fluids
Fine Chemicals	Electronics

Materials of Construction

Head: 316L Stainless Steel
 Bowl: 316L Stainless Steel
 Center Post with Seal plate: 316L SS
 Vent/ Drain Plug: 316L Stainless Steel
 O-Rings: Silicone, EPDM

Connections:

Inlet/ Outlet : Tri-Clover, Flange
 Vent / Drain : 1/2" Tri-clover

Finish

Exterior & Interior Finish: Interior 20ra,
 Exterior 32ra

Operating Conditions

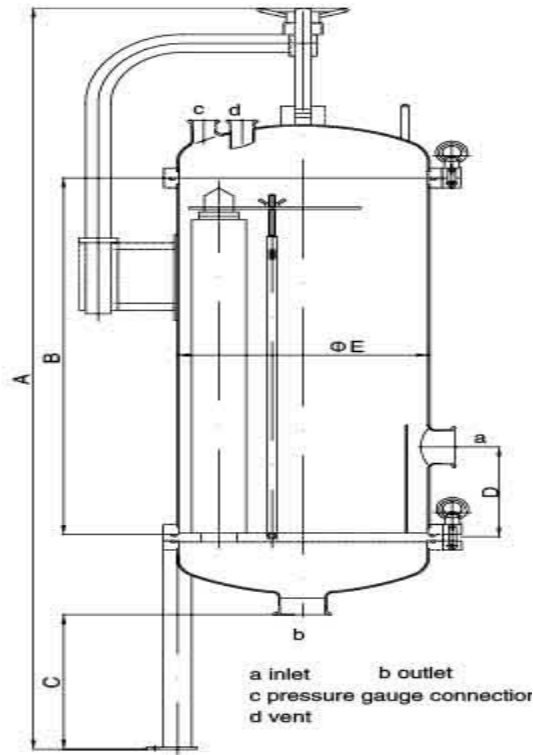
Max operating pressure: 1.0 Mpa (145 psi)
 Max operating temp: 110C

Features	Benefits
<ul style="list-style-type: none"> Aseptic Design 	<ul style="list-style-type: none"> Crevice Free, Electropolished Sanitary surfaces with Ra < 20 µin (<0.4µm) internal surfaces Fully Self draining No Dead Legs
<ul style="list-style-type: none"> Low Hold Volume 	<ul style="list-style-type: none"> Maximize Product Recovery
<ul style="list-style-type: none"> Easy to use low point drain valve 	<ul style="list-style-type: none"> Ease of filter change-out

Sanitary Double Swing Bolt Closure
Multi-Round Series



Sanitary Multi-Round



Your Local Distributor:

Please Visit Us At:

www.pharmbiologicsolutions.com

Email:info@pharmbiologicsolutions.com

317-415-0179 phone 317-536-3937-fax