

High Purity Filter Housing Multi-Round Series

The High Purity Cartridge housings are designed to meet your critical processing needs. These housings are commonly used in the Industrial, Chemical, Food and Beverage Industries. These housings are ideal using only superior grade 316L stainless steel. 304L is available upon request.

The housings are available in 222, 226 o-ring style and DOE. A complete line of housings from 3 to 36 round and in sizes from 10 to 40 inches are available to meet the needs of your critical applications. The design of the housing provides a positive seal with swing bolt closure.

Secure swing bolt closure design. Custom options are available and include: handles, lifting davit upstream and downstream drains and choice of inlet/outlet connection sizes.

Top entry with swing bolt closure or bottom load with swing bolt closure are offered.

Offset or T-style configuration are available. ASME and CE options are also available.



Materials of Construction

Head:	316L Stainless Steel
Bowl:	316L Stainless Steel
Center Post with Seal plate:	316L SS
Vent/ Drain Plug:	316L Stainless Steel
O-Rings:	Silicone, Viton or EPDM, Buna, PTFE encapsulated

Dimensions (nominal)

Lengths (in): 10 , 20, 30 and 40

Connections

Inlet/ Outlet : Flange
Vent / Drain : NPT

Finish

Exterior & Interior Finish: SM/150, EP, BB

Operating Conditions

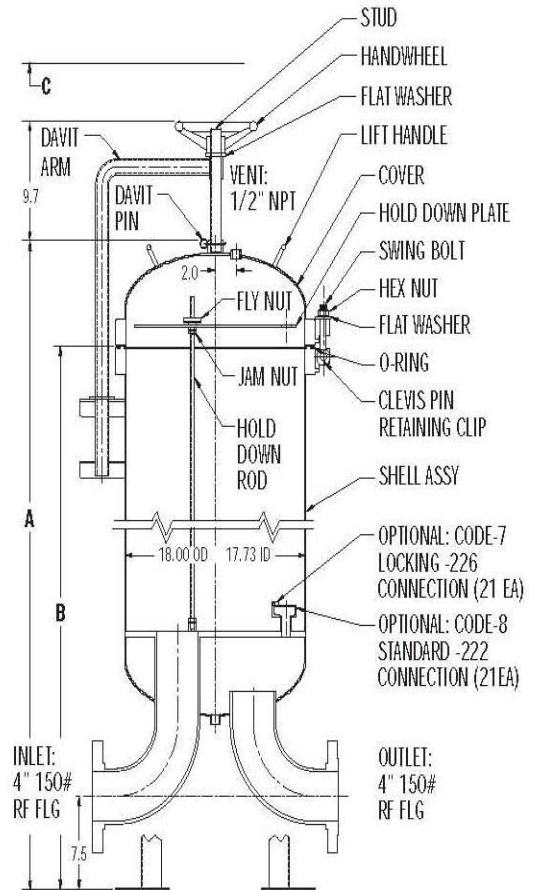
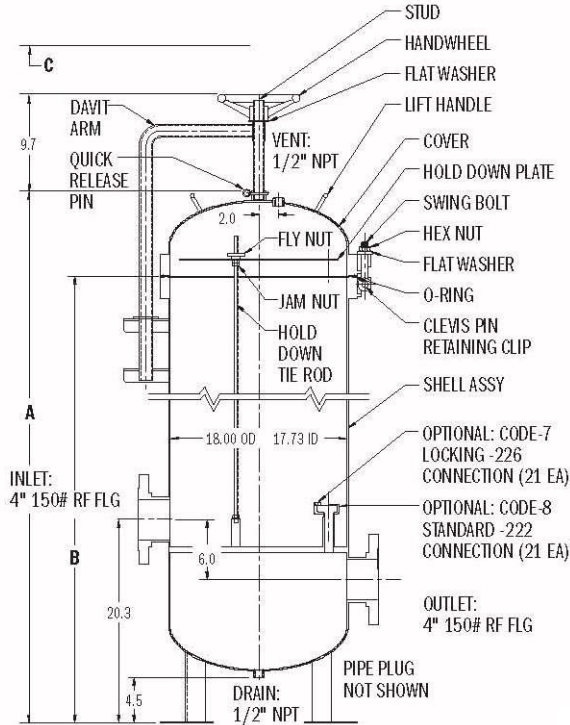
Max operating pressure: 150 psi

Applications	
Process Water	Food & Beverage
Reagents	Wine
Fine Chemicals	Electronics

Features	Benefits
<ul style="list-style-type: none"> Industrial Design 	<ul style="list-style-type: none"> Offset or T-Style Choice Fully Self draining No Dead Legs
<ul style="list-style-type: none"> Low Hold Volume 	<ul style="list-style-type: none"> Maximize Product Recovery
<ul style="list-style-type: none"> Easy to use low point drain valve 	<ul style="list-style-type: none"> Ease of filter change-out

High Purity Filter Housing Multi-Round Series

HIGH PURITY OFFSET



HIGH PURITY T-STYLE

Your Local Distributor:

PharmBiologic Solutions, LLC

317-415-0179

Please Visit Us At:

www.pharmbiologicsolutions.com

Email: info@pharmbiologicsolutions.com

317-415-0179 phone 317-536-3937-fax