

High Purity Multi-Round Series Filter Housing

The High Purity Multi-Round Cartridge housings are designed to meet your processing needs. These housings are commonly used in the Industrial, Chemical, Food and Beverage industries. The housings are manufactured with superior grade 316L stainless steel. The housings are available in Top load, Bottom Load or Industrial Offset.

The vessels come in DOE, 222 or 226 o-ring configurations. A complete line of housings from 3 to 24 round and in sizes from 10 to 40 inches will meet the needs of your applications. The design of the housing provides a positive seal. All Vessels have "Machined Seat Plates".

Vent & drain valves allow easy venting, draining and sampling. Secure swing bolt closure design. Custom options are available and include: handles, Tri-Clover vent and drains, upstream and downstream drains and choice of Tri-Clover inlet/outlet connection and RF Flange. **A Specialty design is also offered with both bottom and top "Swing Bolt Closure"**.



| Applications | |
|-----------------|-----------------|
| Pharmaceuticals | Biologics |
| Water | Food & Beverage |
| Reagents | Wine |
| Fine Chemicals | Electronics |

Materials of Construction

- Head: 316L Stainless Steel
- Bowl: 316L Stainless Steel
- Center Post with Seal plate: 316L SS
- Vent/ Drain Plug: 316L Stainless Steel
- O-Rings: Silicone, Viton or EPDM

Dimensions (nominal)

- Lengths (in): 10, 20, 30 and 40

Connections

- Inlet/ Outlet : Tri Clamp, Flange
- Vent / Drain : Tri Clamp, RF Flange

Finish

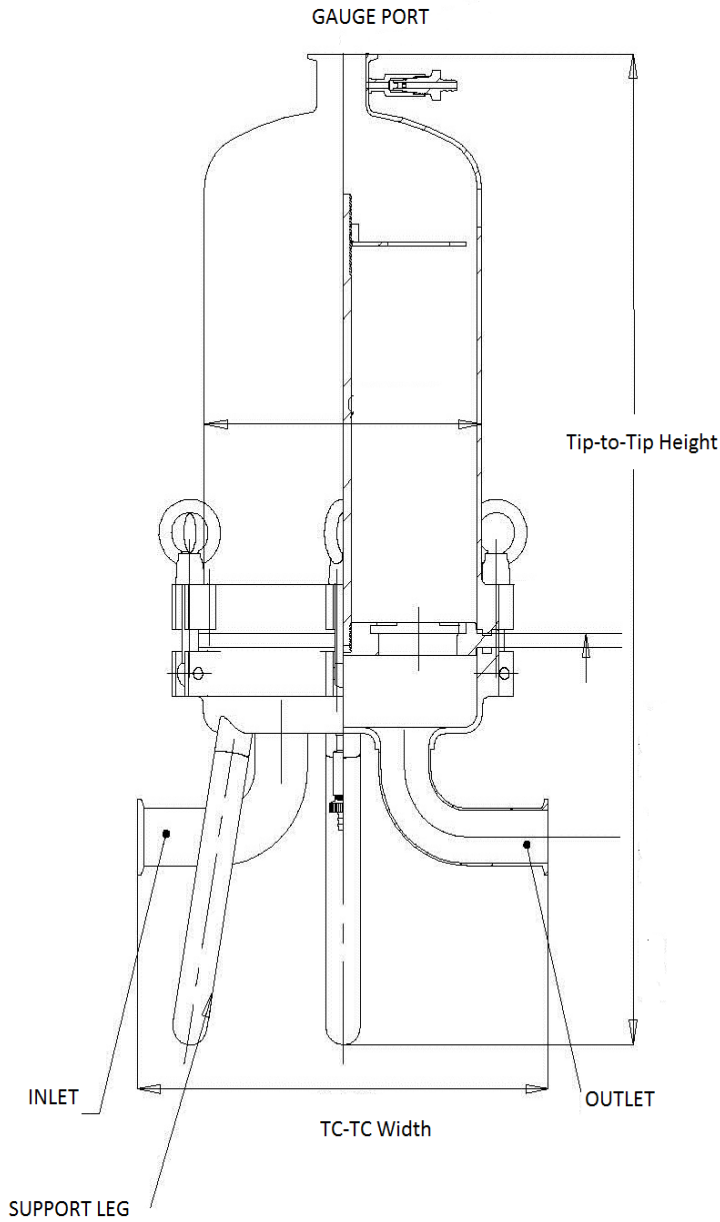
Mirror Finish, EP Finish, < 20 Ra (0.4um) internal surfaces (option)

Operating Conditions

- Max operating pressure: 100 psi (6.8 Bar)

| Features | Benefits |
|---|--|
| <ul style="list-style-type: none"> ■ Variable Design for Customer Preference | <ul style="list-style-type: none"> ■ Crevice Free with Polished surfaces with greater than < 20 Ra (0.4um) internal surfaces (option) ■ Fully Self draining ■ No Dead Legs ■ Bottom Load Can be completely dismantled |
| <ul style="list-style-type: none"> ■ Low Hold Volume | <ul style="list-style-type: none"> ■ Maximize Product Recovery |
| <ul style="list-style-type: none"> ■ Easy to use low point drain valve | <ul style="list-style-type: none"> ■ Removable for cleanability (Bottom load) ■ Ease of filter change-out |

High Purity Multi-Round Series Filter Housing



Nominal Dimensions

| | Cartridge Height (in) | Tip to Tip Height(mm) | TC-TC Width (mm) | Inlet/Outlet (in) |
|----------|-----------------------|-----------------------|------------------|-------------------|
| 3 round | 10 | 670 | 300 | 1.5 TC |
| | 20 | 920 | 300 | 1.5 TC |
| | 30 | 1170 | 300 | 1.5 TC |
| | 40 | 1420 | 300 | 1.5 TC |
| 5 round | | Tip to Tip Length | TC-TC Width | Inlet/Outlet |
| | 10 | 675 | 340 | 1.5 TC |
| | 20 | 925 | 340 | 1.5 TC |
| | 30 | 1175 | 340 | 1.5 TC |
| 7 round | | Tip to Tip Length | TC-TC Width | Inlet/Outlet |
| | 10 | 713 | 380 | 2 TC |
| | 20 | 963 | 380 | 2 TC |
| | 30 | 1213 | 380 | 2 TC |
| 9 round | | Tip to Tip Length | TC-TC Width | Inlet/Outlet |
| | 20 | 1017 | 380 | 2 TC |
| | 30 | 1267 | 380 | 2 TC |
| | 40 | 1517 | 380 | 2 TC |
| 12 round | | Tip to Tip Length | TC-TC Width | Inlet/Outlet |
| | 20 | 1017 | 500 | 3 TC |
| | 30 | 1267 | 500 | 3 TC |
| | 40 | 1517 | 500 | 3 TC |

Your Local Distributor:

Please Visit Us At:

www.pharmbiologicsolutions.com

Email: info@pharmbiologicsolutions.com

317-415-0179 phone 317-536-3937-fax